

# 33" CROWLEY DOUBLE BOWL FARMER SINK

Cat. No  
FSSDB2500-SS



W: 33"  
D: 20"  
H: 10-1/2"

**\*Please do NOT cut hole without template or actual product.**

### Interior Dimensions:

#### Large

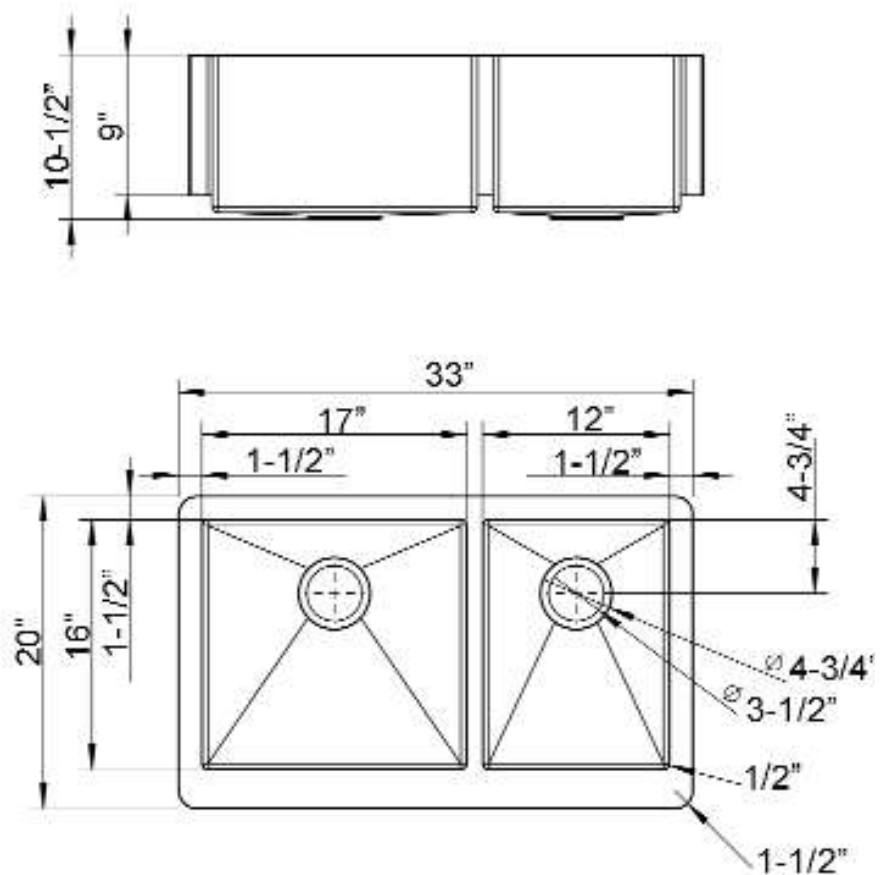
Basin Interior: 17" W x 16" D  
Basin Depth: 10"

#### Small

Basin Interior: 12" W x 16" D  
Basin Depth: 10"

### Features:

- ▶ Solid 16 gauge, 304 grade metal construction
- ▶ Coating and pads for sound insulation
- ▶ Tight radius corners
- ▶ Templates included
- ▶ Easy maintenance with matte finish
- ▶ Rim width is 1-1/2"
- ▶ Drain is 3-1/2"
- ▶ 60/40 offset
- ▶ Wire grid available to purchase separately,  
**FSSDB2500-Wire**



Dimensions of fixture are nominal and may vary within the range of tolerances established by ANSI Standard A112.19.2. Dimensions and specifications subject to change without notice.